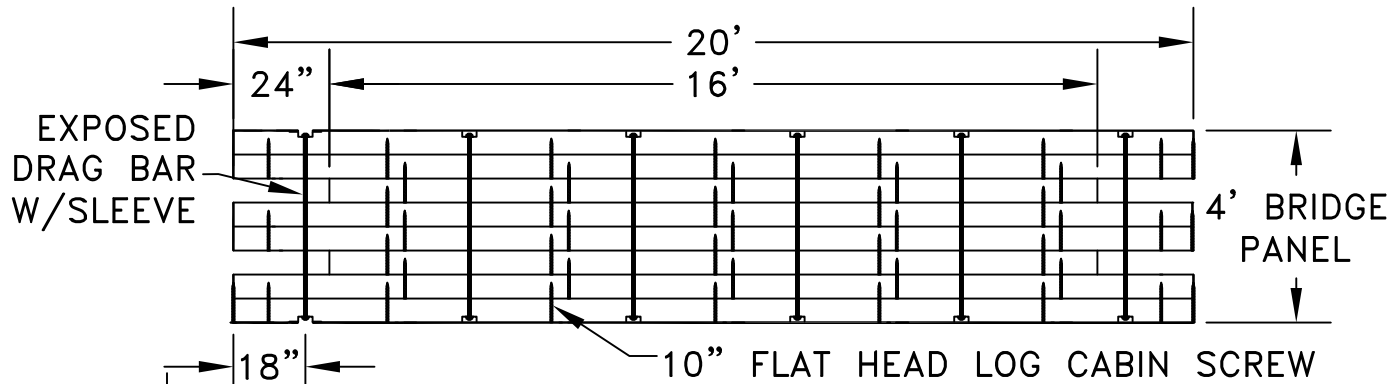
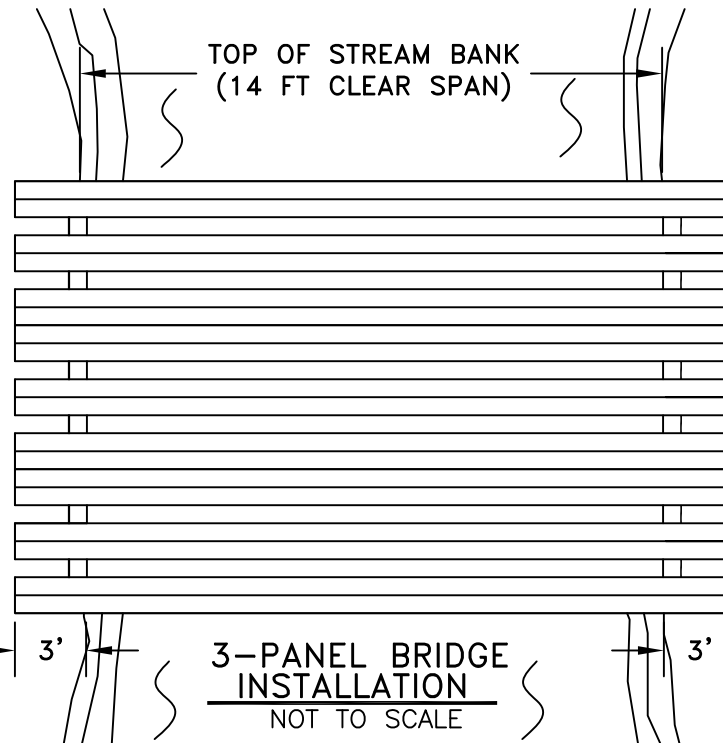
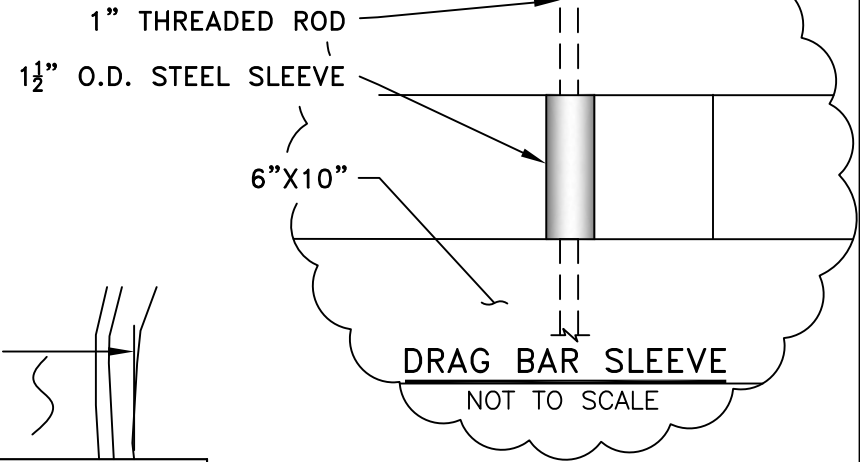
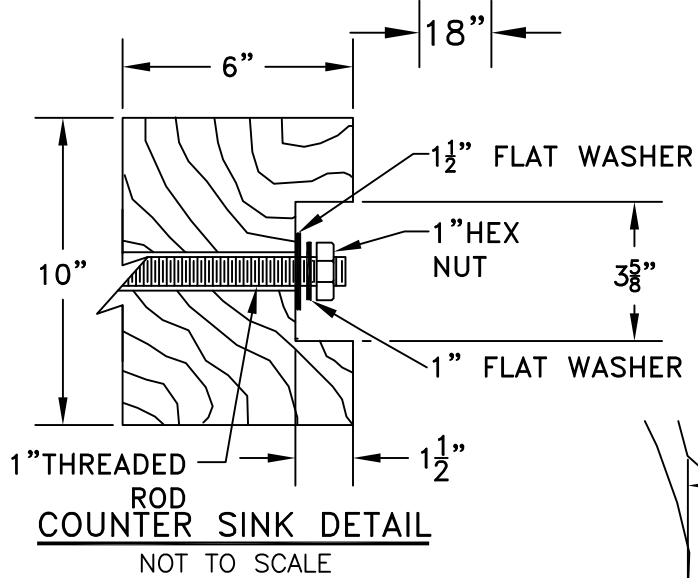


PORTABLE SKIDDER BRIDGE - HEAVY DUTY DESIGN



BRIDGE PANEL
NOT TO SCALE



Heavy-Duty Bridge Design

Maximum Load Rating*
Up to a 40,000 pound skidder under full load
Up to a 70,000 pound forwarder (load included)
Up to a 55,000 pound timber harvester

*Based on a 14-foot clear span in new condition and using #1 grade Eastern Hemlock

THESE PLANS ARE INTENDED FOR INFORMATIONAL PURPOSES AND HAVE NOT BEEN CERTIFIED BY A PROFESSIONAL ENGINEER (P.E.). IT IS RECOMMENDED THAT THE DESIGN BE CERTIFIED BY A P.E. PRIOR TO CONSTRUCTION. BRIDGE LIFE WILL BE REDUCED WITH IMPROPER MAINTENANCE, HEAVY USE OR IF STORED IN A MANNER THAT ENCOURAGES ROT.

AGENCY OF NATURAL RESOURCES
DEPT. OF FORESTS, PARKS AND RECREATION
FOREST WATERSHED PROGRAM
REVISED 12-04-09